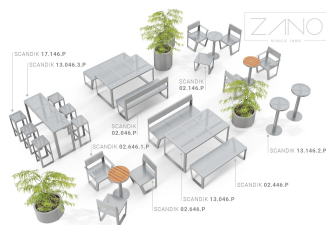


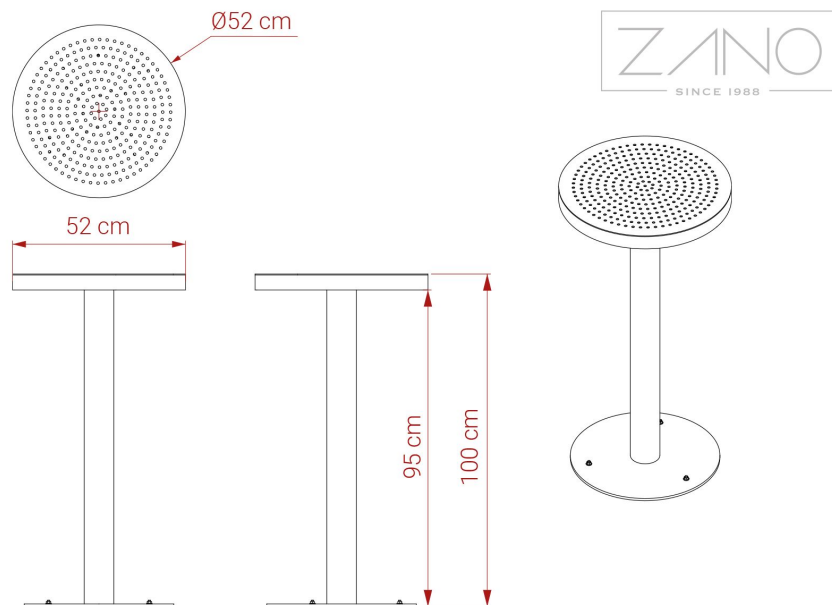
OPTIONS

---

DESCRIPTION

---





## GENERAL TECHNICAL DATA

### Materials

- construction - stainless steel or carbon steel, galvanised and powder coated

### Dimensions

- width: 52 cm  
- height: 100 cm  
- depth: 52 cm

### Weight

- 30 kg

ZANO



*Iwona Żaczek*

Product: Scandik table  
Catalog number:  
**13.146.2.P**  
Designer: Iwona Żaczek

In accordance with the Polish Law on Copyright and Related Rights of 04.02.1994 (Official Journal of Laws No. 24, item 83, corrected: Journal of Laws No. 43, item 170) and in accordance with the EU copyright legislation including all EU directives and regulations on copyright, Zano Mirosław Zarotynski Company, reserves the copyright of drawings, descriptions, 3D models, renderings, graphics, content contained in offers, attachments to offers and all other documents. Its content is the intellectual property of ZANO Mirosław Zarotynski company. The use of author's ideas, solutions, copying, distribution of photos, graphics or fragments of graphics, descriptive texts, for profit, without the permission of the author - ZANO Mirosław Zarotynski company - is prohibited and constitutes a copyright infringement and is punishable.