

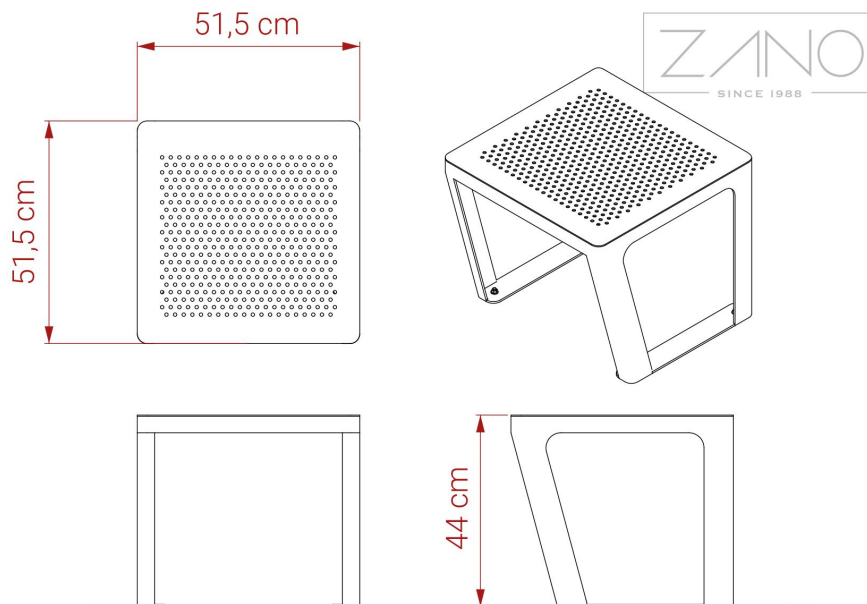
OPTIONS

DESCRIPTION

Scandik seat made entirely of steel. From the top, the sheet is perforated. The furniture can be made of stainless steel or carbon steel, galvanised and powder-coated in RAL colour.

The Scandik seat is the backless version of the Scandik 02.646.P chair. It can be combined with other pieces of urban furniture from the Scandik range, such as flower pots, benches, deckchairs and armchairs.





GENERAL TECHNICAL DATA

Dimensions

- width: 51.5 cm
- height: 44 cm
- depth: 51.5 cm

Materials

- construction - stainless steel or carbon steel, galvanised and powder coated

Weight

- 19 kg

ZANO



Iwona Żaczek

Product: Scandik seat
 Catalog number: 02.146.P
 Designer: Iwona Żaczek

In accordance with the Polish Law on Copyright and Related Rights of 04.02.1994 (Official Journal of Laws No. 24, item 83, corrected: Journal of Laws No. 43, item 170) and in accordance with the EU copyright legislation including all EU directives and regulations on copyright, Zano Mirosław Zarotynski Company, reserves the copyright of drawings, descriptions, 3D models, renderings, graphics, content contained in offers, attachments to offers and all other documents. Its content is the intellectual property of ZANO Mirosław Zarotynski company. The use of author's ideas, solutions, copying, distribution of photos, graphics or fragments of graphics, descriptive texts, for profit, without the permission of the author - ZANO Mirosław Zarotynski company - is prohibited and constitutes a copyright infringement and is punishable.