

OPTIONS

Methods of installation

- attached by bolts to foundation

Wireless charger

- none
- 2 A, 10 W

Battery pack

- gel batteries 36 Ah
- lithium batteries 40 Ah

Wi-Fi hotspot

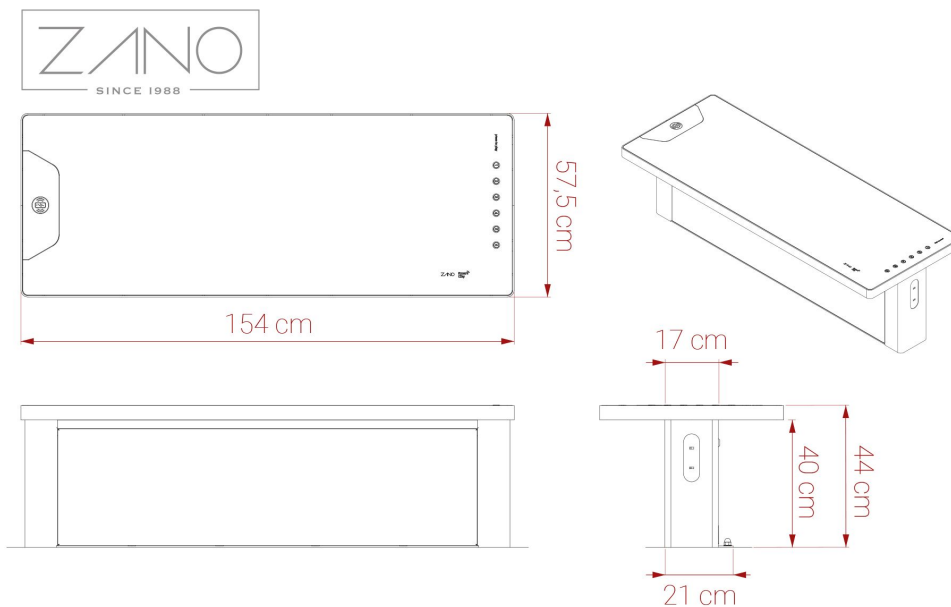
- none
- 2.4 GHz; 3G, 4G (no SIM card included)

LED lights

- 2 x 1m (4.8 W / 1m) - neutral white

DESCRIPTION

Contemporary **solar bench Scandik**, the entry level bench of our solar benches. Scandik solar bench combines compact dimensions with a full range of equipment. As a standard bench has **two USB A ports supporting quick charge** and **LED lights**. **Additional equipment** include: **wireless charger**, **Wi-Fi Hotspot** or **telemetry module**. The construction is made of carbon, galvanized and powder coated steel or **stainless steel**. Two high performance photovoltaic panels work independently eliminating the problem with partial shading. The seat is made of acrylic glass with increased scratch resistance. Scandik solar bench does not need to be connected to the power grid because of the power coming from photovoltaic panels, so it can be placed in almost any space. Scandik bench is a part of the series of street furniture containing a **solar station, benches, seats, planters, litter bins, tables and tinformation boards**.



GENERAL TECHNICAL DATA

Weight

- 112 kg

Dimensions

- width: 154 cm
- height: 45 cm
- depth: 58 cm

Basic equipment

- two USB A quick charge ports
- ambient lighting

Electrical specifications

- max. output of the photovoltaic panel: 100 W
- battery capacity: 36 Ah
- working temperature: -20°C - 60°C

Materials

- carbon steel or stainless steel

ZANO



Iwona Żaczek

Product:
Solar bench Scandik
Catalog number: **02.846**
Designer: Iwona Żaczek

In accordance with the Polish Law on Copyright and Related Rights of 04.02.1994 (Official Journal of Laws No. 24, item 83, corrected: Journal of Laws No. 43, item 170) and in accordance with the EU copyright legislation including all EU directives and regulations on copyright, Zano Miroslaw Zarotynski Company, reserves the copyright of drawings, descriptions, 3D models, renderings, graphics, content contained in offers, attachments to offers and all other documents. Its content is the intellectual property of ZANO Miroslaw Zarotynski company. The use of author's ideas, solutions, copying, distribution of photos, graphics or fragments of graphics, descriptive texts, for profit, without the permission of the author - ZANO Miroslaw Zarotynski company - is prohibited and constitutes a copyright infringement and is punishable.

NOTE: The drawings do not reflect the actual dimensions of the foundation. They are only exemplary assembly schemes taking into account the type of anchoring and the substrate material to which the furniture is to be fixed.

The size of the foundation depends on the local foundation conditions.



INSTALLATION INTO PAVING WITH FOUNDATION

Description of the assembly

1. ZANO product
2. Quick-action fastener or chemical anchor
3. Stone paving / concrete paving / stone slabs / concrete slabs
4. Sand ballast (approx. 2 - 4 cm)
5. Stone aggregate substructure
6. Concrete foundation, class C16/20 (top surface concrete 10 cm below paving surface)
7. Ground



INSTALLATION TO PAVING

Description of the assembly

1. ZANO product
2. Quick-action fastener or chemical anchor
3. Stone paving / concrete paving / stone slabs / concrete slabs
4. Sand ballast (approx. 2 - 4 cm)
5. Stone aggregate substructure
6. Ground



CONCRETE / ASPHALT MOUNTING

Description of the assembly

1. ZANO product
2. Quick-action fastener or chemical anchor
3. Fixed hardened surface e.g. concrete or asphalt
4. Concrete foundation, class C16/20 (top surface concrete 10 cm below paving surface)
5. Stone aggregate substructure
6. Sand ballast (approx. 2 - 4 cm)
7. Ground



MOUNTING TO CONCRETE FOUNDATION

Description of the assembly

1. ZANO product
2. Quick-action fastener or chemical anchor
3. Concrete foundation, class C16/20 (top surface concrete 10 cm below paving surface)
4. Ground