



## OPTIONS

### Seat

- soft wood
- hardwood of European origin
- hard wood (oil finish)
- premium hard wood

### Methods of installation

- attached by bolts to foundation

### Additional bicycle rack

- none
- left side
- right side

### Sound module

- none
- bluetooth speaker
- speaker with built-in memory

### Battery pack

- gel batteries 55 Ah
- lithium batteries 40 Ah

### Wi-Fi hotspot

- none
- 2.4 GHz; 3G, 4G (no SIM card included)

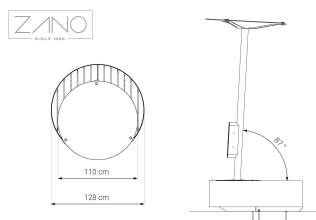
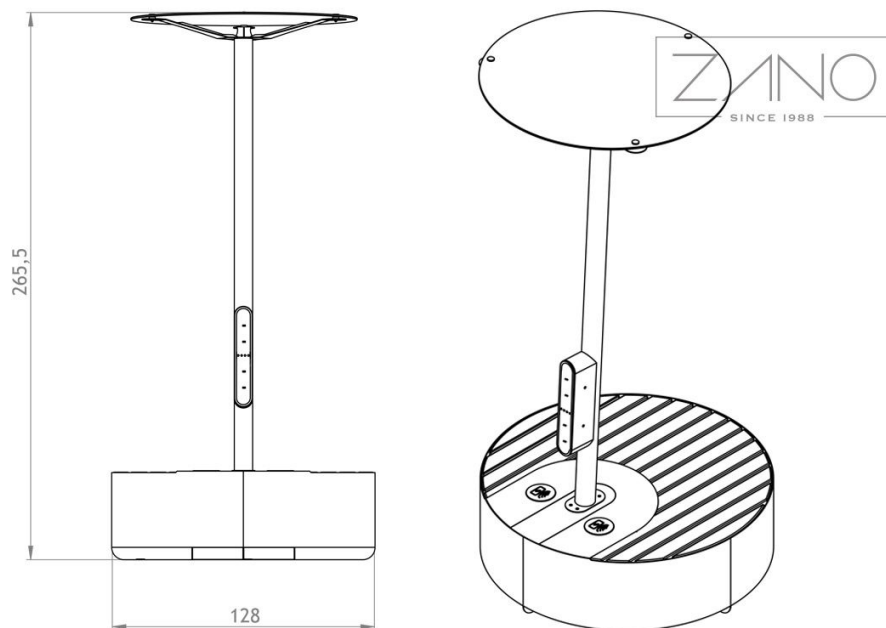
### LED lights

- 2 x 1m (4.8 W / 1m) - neutral white

## DESCRIPTION



**Solar charging station Universe**, an extraordinary designed street furniture. It's powered by a high-end, glass-glass photovoltaic panel mounted above the seat. The construction is made of carbon, galvanized and powder coated steel or stainless steel, finished with softwood or hardwood. As a standard Universe has six USB A ports supporting quick charge, two wireless chargers and...



## GENERAL TECHNICAL DATA

### Dimensions

- width: 128 cm
- length: 128 cm
- height: 267 cm
- seat height: 42 cm

### Weight

- soft wood: 182 kg
- hardwood of European origin: 189 kg
- premium hard wood: 197 kg

### Basic equipment

- ambient lighting
- battery charge indicator
- two inductive chargers
- four USB A charging ports: 2 x 3.0, 2 x 2.0

### Electrical specifications

- max. output of the photovoltaic panel: 118 W
- battery capacity: 55 Ah
- working temperature: -20°C - 60°C

### Materials

- powder-coated structural steel
- wood: spruce, pine or exotic wood

ZANO



*Filip Babiarz*

Product:  
Solar charging station Universe  
Catalog number: 19.055  
Designer: Filip Babiarz

In accordance with the Polish Law on Copyright and Related Rights of 04.02.1994 (Official Journal of Laws No. 24, item 83, corrected: Journal of Laws No. 43, item 170) and in accordance with the EU copyright legislation including all EU directives and regulations on copyright, Zano Mirosław Zarotynski Company, reserves the copyright of drawings, descriptions, 3D models, renderings, graphics, content contained in offers, attachments to offers and all other documents. Its content is the intellectual property of ZANO Mirosław Zarotynski company. The use of author's ideas, solutions, copying, distribution of photos, graphics or fragments of graphics, descriptive texts, for profit, without the permission of the author - ZANO Mirosław Zarotynski company - is prohibited and constitutes a copyright infringement and is punishable.

**NOTE: The drawings do not reflect the actual dimensions of the foundation. They are only exemplary assembly schemes taking into account the type of anchoring and the substrate material to which the furniture is to be fixed.**

The size of the foundation depends on the local foundation conditions.



### INSTALLATION INTO PAVING WITH FOUNDATION

#### Description of the assembly

1. ZANO product
2. Quick-action fastener or chemical anchor
3. Stone paving / concrete paving / stone slabs / concrete slabs
4. Sand ballast (approx. 2 - 4 cm)
5. Stone aggregate substructure
6. Concrete foundation, class C16/20 (top surface concrete 10 cm below paving surface)
7. Ground



### INSTALLATION TO PAVING

#### Description of the assembly

1. ZANO product
2. Quick-action fastener or chemical anchor
3. Stone paving / concrete paving / stone slabs / concrete slabs
4. Sand ballast (approx. 2 - 4 cm)
5. Stone aggregate substructure
6. Ground



### CONCRETE / ASPHALT MOUNTING

#### Description of the assembly

1. ZANO product
2. Quick-action fastener or chemical anchor
3. Fixed hardened surface e.g. concrete or asphalt
4. Concrete foundation, class C16/20 (top surface concrete 10 cm below paving surface)
5. Stone aggregate substructure
6. Sand ballast (approx. 2 - 4 cm)
7. Ground



### MOUNTING TO CONCRETE FOUNDATION

#### Description of the assembly

1. ZANO product
2. Quick-action fastener or chemical anchor
3. Concrete foundation, class C16/20 (top surface concrete 10 cm below paving surface)
4. Ground