

OPTIONS

Casing

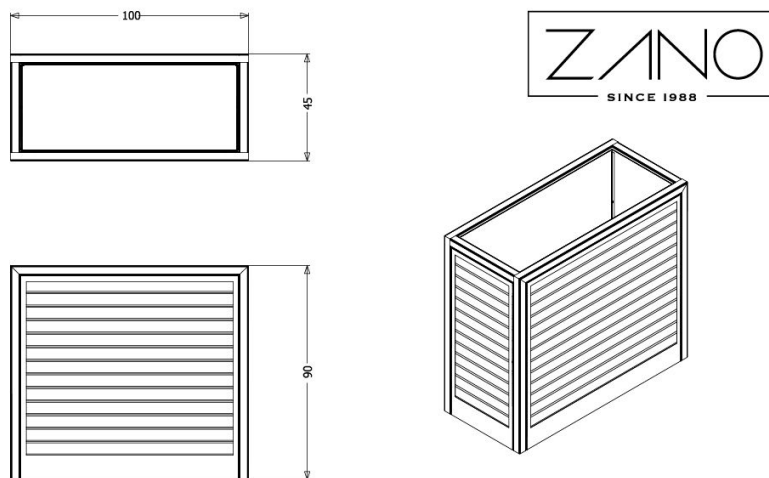
- soft wood
- hard wood (oil finish)
- extra hard wood
- HPL

Methods of installation

- free-standing
- attached by bolts to foundation

DESCRIPTION

The line Salver contains 4 planters in different sizes. It's an aesthetic planter with a great potential. It goes perfectly with each type of modern space. This planter can be free-standing or fixed to the ground. The construction is made of steel with a wooden finish. Thanks to the wooden planks, our planter looks more softly.



wartości podane są w centymetrach

GENERAL TECHNICAL DATA

Dimensions

- width: 100 cm
- height: 90 cm
- depth: 45 cm

Weight

- 46 kg

Materials

- wood
- steel profile
- sheet steel
- aluzinc sheet

ZANO



Filip Babiarz

Product: Salver Planter
Catalog number: **06.038.L**
Designer: Filip Babiarz

In accordance with the Polish Law on Copyright and Related Rights of 04.02.1994 (Official Journal of Laws No. 24, item 83, corrected: Journal of Laws No. 43, item 170) and in accordance with the EU copyright legislation including all EU directives and regulations on copyright, Zano Mirosław Zarotynski Company, reserves the copyright of drawings, descriptions, 3D models, renderings, graphics, content contained in offers, attachments to offers and all other documents. Its content is the intellectual property of ZANO Mirosław Zarotynski company. The use of author's ideas, solutions, copying, distribution of photos, graphics or fragments of graphics, descriptive texts, for profit, without the permission of the author - ZANO Mirosław Zarotynski company - is prohibited and constitutes a copyright infringement and is punishable.