



OPTIONS

DESCRIPTION

Presented model is a functional rack for parking bicycles of different types and sizes. It allows one to lock wheelers both to the frame and the wheel. One module makes it possible to park two bicycles at the same time. This bicycle rack is made from stainless steel and steel pipes, which gives a guarantee of stability and strength, despite frequent use.

GENERAL TECHNICAL DATA**Materials**

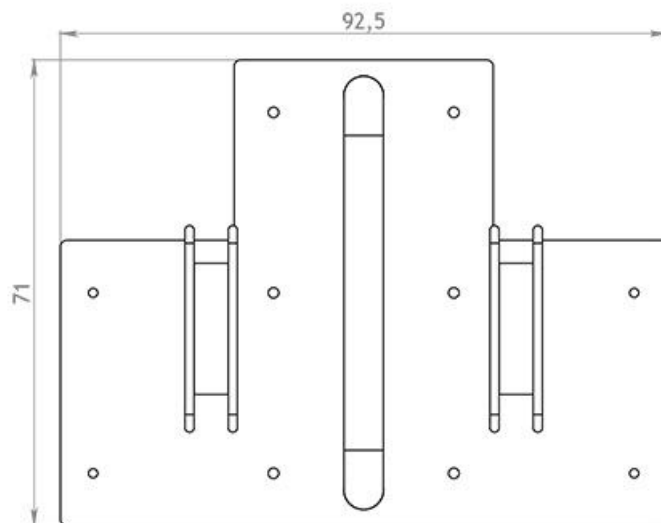
- Stainless steel sheet
- Pipe 60.3

Dimensions

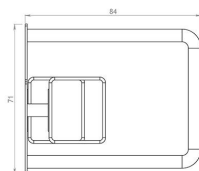
- width: 60 cm
- depth: 80 cm

ZANO

In accordance with the Polish Law on Copyright and Related Rights of 04.02.1994 (Official Journal of Laws No. 24, item 83, corrected: Journal of Laws No. 43, item 170) and in accordance with the EU copyright legislation including all EU directives and regulations on copyright, Zano Mirosław Zarotynski Company, reserves the copyright of drawings, descriptions, 3D models, renderings, graphics, content contained in offers, attachments to offers and all other documents. Its content is the intellectual property of ZANO Mirosław Zarotynski company. The use of author's ideas, solutions, copying, distribution of photos, graphics or fragments of graphics, descriptive texts, for profit, without the permission of the author - ZANO Mirosław Zarotynski company - is prohibited and constitutes a copyright infringement and is punishable.



wymiary podano w [cm]



wymiary podano w [cm]