



## OPTIONS

---

### Methods of installation

- embedded in concrete

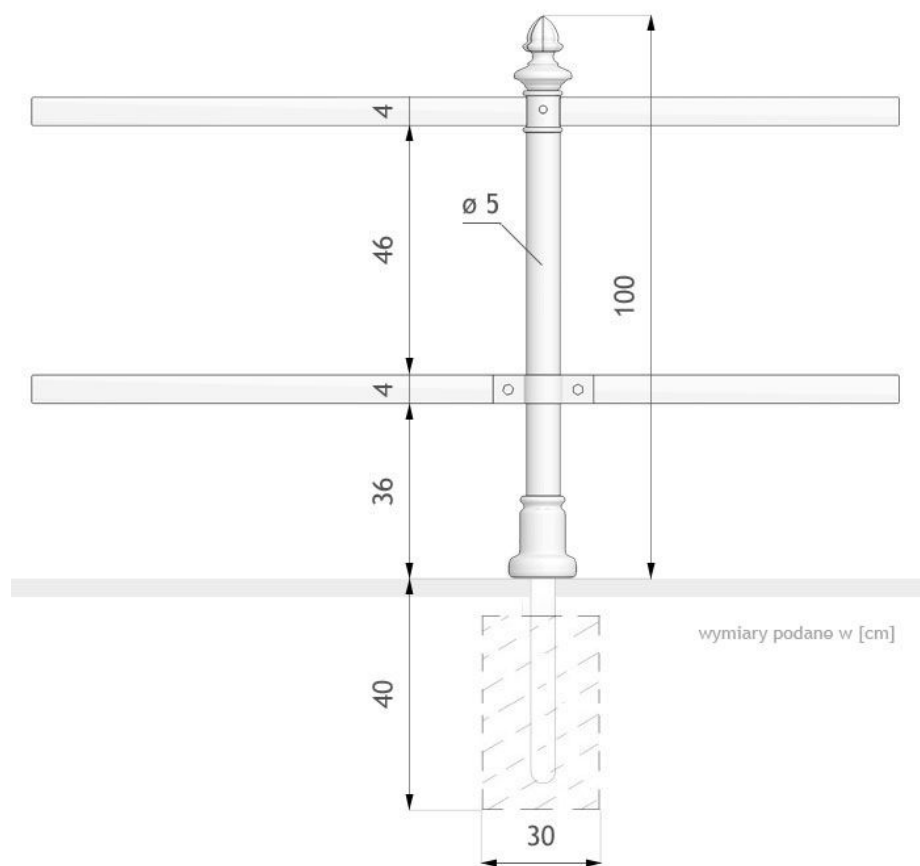
### Fence mounts

- single sided
- double sided
- none

## DESCRIPTION

---

Dual 01.054 bollard is a variant of 01.053 model. This version has two special flat bars. Elegant and practical project - perfect for parks, alleys and historical main squares. Presented **cast iron bollard** is made of **cast iron** - durable and elegant material. With other bollards presented model create functional fence in the retro style. Projects like Dual bollard can also be used in special locations to designate their unique character. It can be used at sidewalks locations where vehicles attempting to park are damaging sidewalks, plants, alleys and private properties.



## GENERAL TECHNICAL DATA

### Dimensions

- height from ground surface: 100 cm
- height with anchoring section: 150 cm
- maximum strap length: 250 cm

### Materials

- cast iron
- steel tube: 50 mm
- steel flat bar 45x8mm

ZANO



Product: Dual Bollard  
 Catalog number: **01.054**  
 Designer: Tomasz Szpytma

In accordance with the Polish Law on Copyright and Related Rights of 04.02.1994 (Official Journal of Laws No. 24, item 83, corrected: Journal of Laws No. 43, item 170) and in accordance with the EU copyright legislation including all EU directives and regulations on copyright, Zano Mirosław Zarotynski Company, reserves the copyright of drawings, descriptions, 3D models, renderings, graphics, content contained in offers, attachments to offers and all other documents. Its content is the intellectual property of ZANO Mirosław Zarotynski company. The use of author's ideas, solutions, copying, distribution of photos, graphics or fragments of graphics, descriptive texts, for profit, without the permission of the author - ZANO Mirosław Zarotynski company - is prohibited and constitutes a copyright infringement and is punishable.

**NOTE: The drawings do not reflect the actual dimensions of the foundation. They are only exemplary assembly schemes taking into account the type of anchoring and the substrate material to which the furniture is to be fixed.**

The size of the foundation depends on the local foundation conditions.



### INSTALLATION INTO PAVING WITH FOUNDATION

**Description of the assembly**

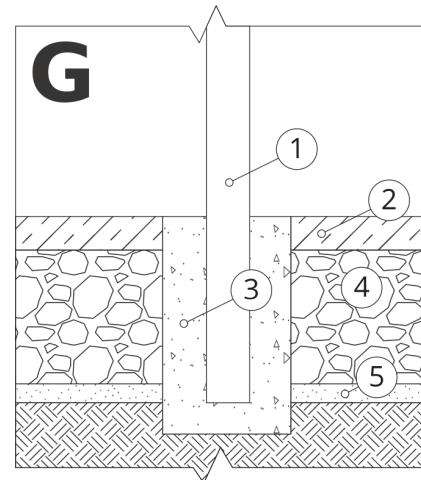
1. ZANO product
2. Stone paving / concrete paving / stone slabs / concrete slabs
3. Sand ballast (approx. 2 - 4 cm)
4. Concrete foundation, class C16/20 (top surface concrete 10 cm below paving surface)
5. Ground



### MOUNTING TO CONCRETE FOUNDATION

**Description of the assembly**

1. ZANO product
2. Concrete foundation, class C16/20 (top surface concrete 10 cm below paving surface)
3. Ground



### MOUNTING TO CONCRETE FOUNDATION

**Description of the assembly**

1. ZANO product
2. Fixed hardened surface e.g. concrete or asphalt
3. Concrete foundation, class C16/20 (top surface concrete 10 cm below paving surface)
4. Stone aggregate substructure
5. Sand ballast (approx. 2 - 4 cm)
6. Ground