

OPTIONS

Methods of installation

- embedded in concrete

Bollard handle

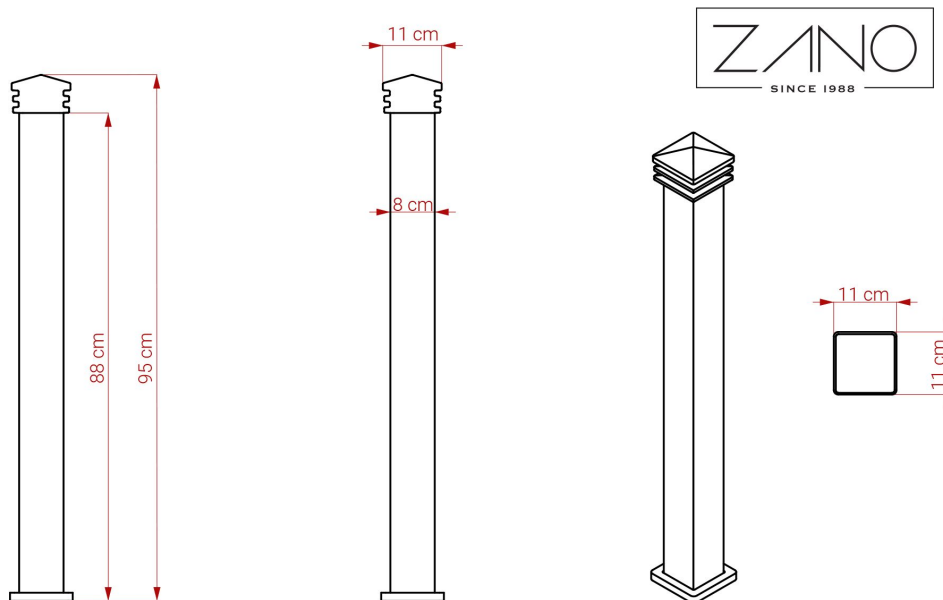
- none
- 1 chain (both sides)
- 1 chain (one side)
- attachment of 2 chains (double-sided)
- attachment of 2 chains (final)

Fence mounts

- single sided
- double sided
- none

DESCRIPTION

Carbon steel bollards, like presented Ting 01.084 model, are **corrosion resistant** and durable. These are ideal elements of **street furniture** for directing pedestrian areas where there is a possibility to come into conflict with traffic. Those **street bollards** are functional and beautifully styled. Presented bollards are available in all RAL palette standard colours. Those bollards are bright and modern solution for every urban surroundings. They make the public places safe and functional.



GENERAL TECHNICAL DATA

Materials

- cast iron
- steel profile: 80 mm

Dimensions

- height from ground surface: 95 cm
- height with anchoring section: 135 cm
- thickness: 8 cm

ZANO



Product: Ting Bollard
 Catalog number: **01.084**
 Designer: Tomasz Szpytma

In accordance with the Polish Law on Copyright and Related Rights of 04.02.1994 (Official Journal of Laws No. 24, item 83, corrected: Journal of Laws No. 43, item 170) and in accordance with the EU copyright legislation including all EU directives and regulations on copyright, Zano Mirosław Zarotynski Company, reserves the copyright of drawings, descriptions, 3D models, renderings, graphics, content contained in offers, attachments to offers and all other documents. Its content is the intellectual property of ZANO Mirosław Zarotynski company. The use of author's ideas, solutions, copying, distribution of photos, graphics or fragments of graphics, descriptive texts, for profit, without the permission of the author - ZANO Mirosław Zarotynski company - is prohibited and constitutes a copyright infringement and is punishable.

NOTE: The drawings do not reflect the actual dimensions of the foundation. They are only exemplary assembly schemes taking into account the type of anchoring and the substrate material to which the furniture is to be fixed.

The size of the foundation depends on the local foundation conditions.



INSTALLATION INTO PAVING WITH FOUNDATION

Description of the assembly

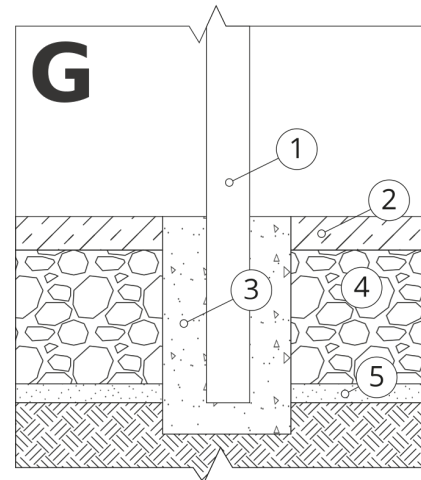
1. ZANO product
2. Stone paving / concrete paving / stone slabs / concrete slabs
3. Sand ballast (approx. 2 - 4 cm)
4. Concrete foundation, class C16/20 (top surface concrete 10 cm below paving surface)
5. Ground



MOUNTING TO CONCRETE FOUNDATION

Description of the assembly

1. ZANO product
2. Concrete foundation, class C16/20 (top surface concrete 10 cm below paving surface)
3. Ground



MOUNTING TO CONCRETE FOUNDATION

Description of the assembly

1. ZANO product
2. Fixed hardened surface e.g. concrete or asphalt
3. Concrete foundation, class C16/20 (top surface concrete 10 cm below paving surface)
4. Stone aggregate substructure
5. Sand ballast (approx. 2 - 4 cm)
6. Ground