



OPTIONS

Casing

- soft wood
- hardwood of European origin
- hard wood (oil finish)
- premium hard wood

Methods of installation

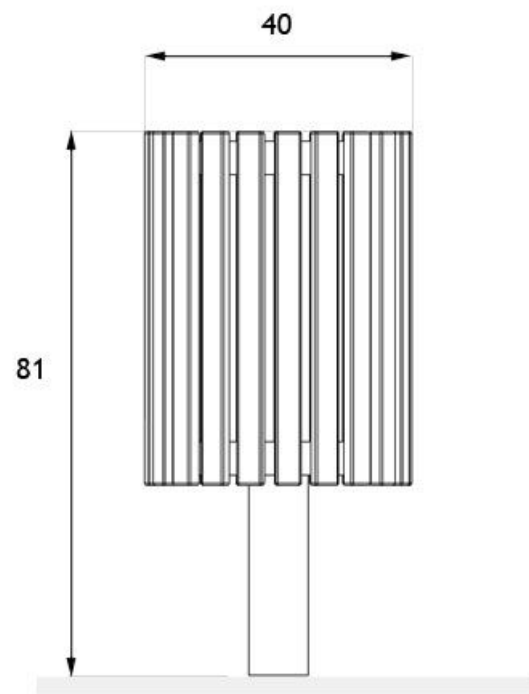
- embedded in concrete

Container

- galvanized steel container

DESCRIPTION

Specialists in urban design and street furniture, Zano's industrial designers work in collaboration with architects, engineers and designers to develop products that cohesively link with client project goals. The great proof of that is the Mico Litter Bin. The construction of this model is made of stainless steel- durable, hygienic and safe material with low maintenance cost. Other part is made of wood (you can choose from: pine, spruce or exotic hardwood). Mico is a free standing model with 80l capacity. Presented litter bin was designed especially for public offices, parks, schools and other city areas.



wymiary podane w [cm]

GENERAL TECHNICAL DATA

Weight

- 20 kg

Materials

- galvanised sheet metal insert
- steel profiles
- wooden planks

Dimensions

- width: 50 cm
- height: 80 cm

Capacity

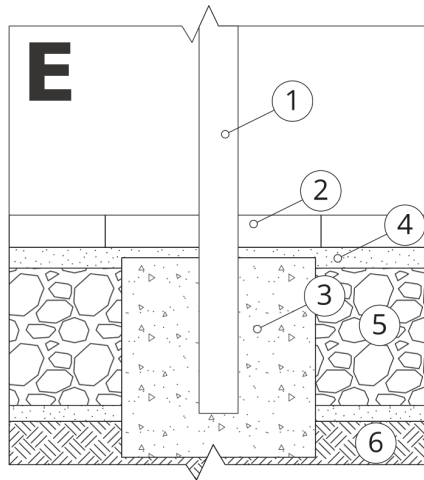
- capacity: 40 l

ZANO

In accordance with the Polish Law on Copyright and Related Rights of 04.02.1994 (Official Journal of Laws No. 24, item 83, corrected: Journal of Laws No. 43, item 170) and in accordance with the EU copyright legislation including all EU directives and regulations on copyright, Zano Mirosław Zarotynski Company, reserves the copyright of drawings, descriptions, 3D models, renderings, graphics, content contained in offers, attachments to offers and all other documents. Its content is the intellectual property of ZANO Mirosław Zarotynski company. The use of author's ideas, solutions, copying, distribution of photos, graphics or fragments of graphics, descriptive texts, for profit, without the permission of the author - ZANO Mirosław Zarotynski company - is prohibited and constitutes a copyright infringement and is punishable.

NOTE: The drawings do not reflect the actual dimensions of the foundation. They are only exemplary assembly schemes taking into account the type of anchoring and the substrate material to which the furniture is to be fixed.

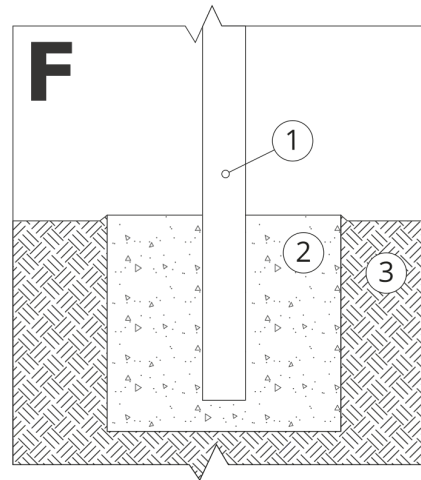
The size of the foundation depends on the local foundation conditions.



INSTALLATION INTO PAVING WITH FOUNDATION

Description of the assembly

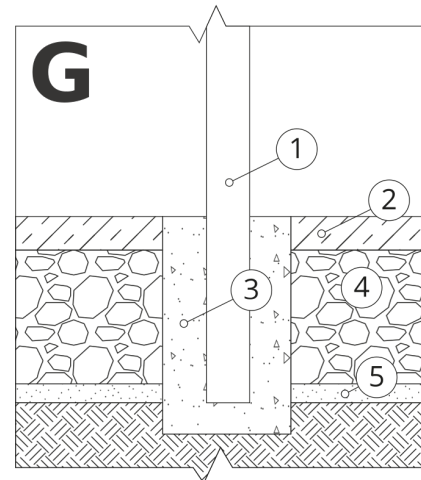
1. ZANO product
2. Stone paving / concrete paving / stone slabs / concrete slabs
3. Sand ballast (approx. 2 - 4 cm)
4. Concrete foundation, class C16/20 (top surface concrete 10 cm below paving surface)
5. Ground



MOUNTING TO CONCRETE FOUNDATION

Description of the assembly

1. ZANO product
2. Concrete foundation, class C16/20 (top surface concrete 10 cm below paving surface)
3. Ground



MOUNTING TO CONCRETE FOUNDATION

Description of the assembly

1. ZANO product
2. Fixed hardened surface e.g. concrete or asphalt
3. Concrete foundation, class C16/20 (top surface concrete 10 cm below paving surface)
4. Stone aggregate substructure
5. Sand ballast (approx. 2 - 4 cm)
6. Ground