



## OPTIONS

### Methods of installation

- embedded in concrete

### Bollard handle

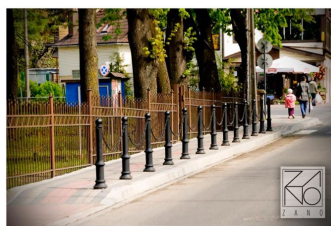
- none
- 1 chain (both sides)
- 1 chain (one side)
- attachment of 2 chains (double-sided)
- attachment of 2 chains (final)

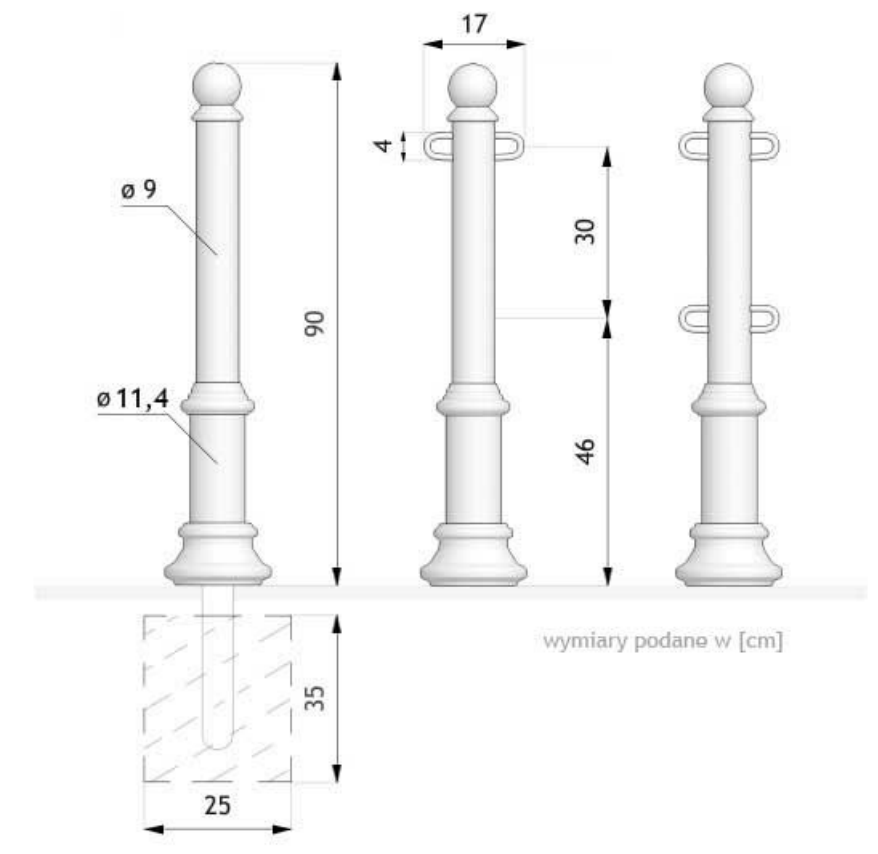
### Fence mounts

- single sided
- double sided
- none

## DESCRIPTION

Denso 01.056 bollard is a very popular, **stainless steel** model with **classic design**. It is perfect for separating green areas, pavements, streets and parkings. Denso bollard can be removable or permanently installed in the **concrete foundation**. It can function as a free-standing model or in a row of bollards connected with chains - single or double.





## GENERAL TECHNICAL DATA

### Dimensions

- height from ground surface: 90 cm
- height with anchoring section: 130 cm

### Materials

- cast iron
- 90mm and 114mm steel tubes

ZANO

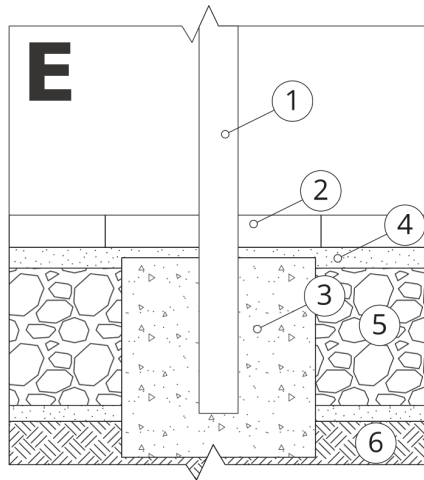


Product: Bollard Denso  
 Catalog number: 01.056  
 Designer: Tomasz Szpytma

In accordance with the Polish Law on Copyright and Related Rights of 04.02.1994 (Official Journal of Laws No. 24, item 83, corrected: Journal of Laws No. 43, item 170) and in accordance with the EU copyright legislation including all EU directives and regulations on copyright, Zano Mirosław Zarotynski Company, reserves the copyright of drawings, descriptions, 3D models, renderings, graphics, content contained in offers, attachments to offers and all other documents. Its content is the intellectual property of ZANO Mirosław Zarotynski company. The use of author's ideas, solutions, copying, distribution of photos, graphics or fragments of graphics, descriptive texts, for profit, without the permission of the author - ZANO Mirosław Zarotynski company - is prohibited and constitutes a copyright infringement and is punishable.

**NOTE:** The drawings do not reflect the actual dimensions of the foundation. They are only exemplary assembly schemes taking into account the type of anchoring and the substrate material to which the furniture is to be fixed.

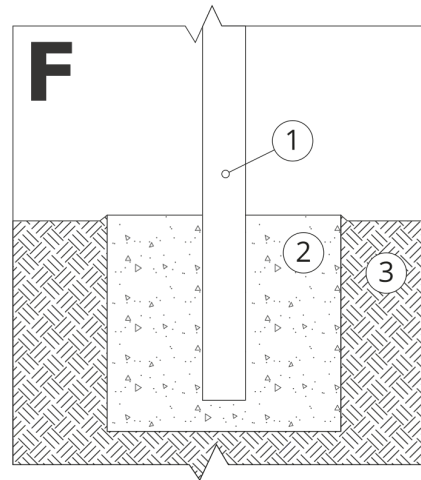
The size of the foundation depends on the local foundation conditions.



### INSTALLATION INTO PAVING WITH FOUNDATION

**Description of the assembly**

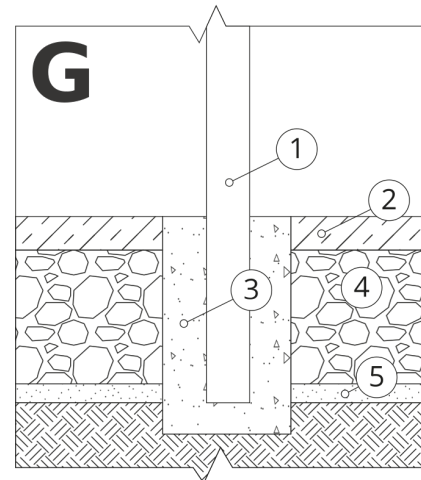
1. ZANO product
2. Stone paving / concrete paving / stone slabs / concrete slabs
3. Sand ballast (approx. 2 - 4 cm)
4. Concrete foundation, class C16/20 (top surface concrete 10 cm below paving surface)
5. Ground



### MOUNTING TO CONCRETE FOUNDATION

**Description of the assembly**

1. ZANO product
2. Concrete foundation, class C16/20 (top surface concrete 10 cm below paving surface)
3. Ground



### MOUNTING TO CONCRETE FOUNDATION

**Description of the assembly**

1. ZANO product
2. Fixed hardened surface e.g. concrete or asphalt
3. Concrete foundation, class C16/20 (top surface concrete 10 cm below paving surface)
4. Stone aggregate substructure
5. Sand ballast (approx. 2 - 4 cm)
6. Ground