

OPTIONS

Methods of installation

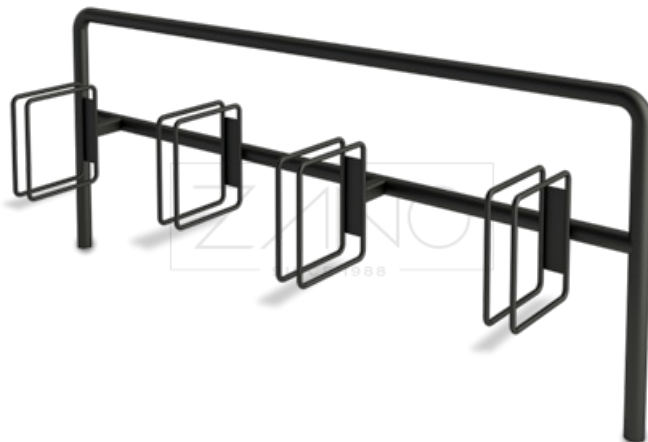
- embedded in concrete

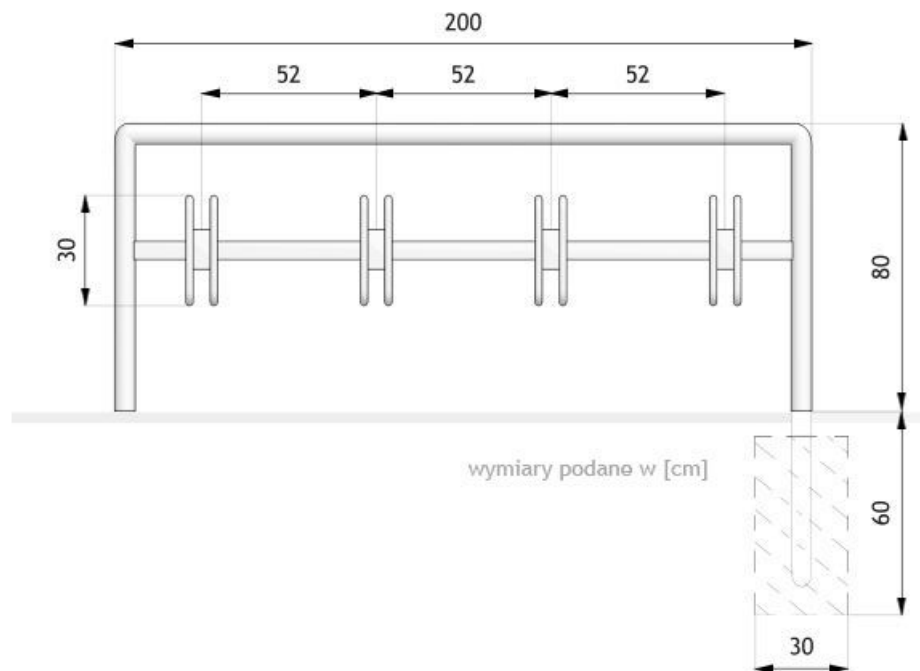
Rack size

- 3
- 4
- 5
- 6
- 7

DESCRIPTION

Forte 05.052 bicycle rack is a contemporary, fashionable outdoor bike parking based on black steel construction. It is a perfect example of the new vision for outdoor furniture. The sleek metal finish of the 05.052 bicycle rack was designed to compose with contemporary urban surroundings. Double steel strips are designed to hold bicycle wheels securely in place. Design and functionality.





GENERAL TECHNICAL DATA

Weight

- 33 kg

Materials

- steel tubes
- closed profiles

Dimensions

- width: 42 cm
- length: 200 cm
- height from ground surface: 80 cm
- height with anchoring section: 140 cm

ZANO



Product: Forte Bicycle Rack
Catalog number: **05.052.SC**
Designer: Tomasz Szpytma

In accordance with the Polish Law on Copyright and Related Rights of 04.02.1994 (Official Journal of Laws No. 24, item 83, corrected: Journal of Laws No. 43, item 170) and in accordance with the EU copyright legislation including all EU directives and regulations on copyright, Zano Mirosław Zarotyński Company, reserves the copyright of drawings, descriptions, 3D models, renderings, graphics, content contained in offers, attachments to offers and all other documents. Its content is the intellectual property of ZANO Mirosław Zarotyński company. The use of author's ideas, solutions, copying, distribution of photos, graphics or fragments of graphics, descriptive texts, for profit, without the permission of the author - ZANO Mirosław Zarotyński company - is prohibited and constitutes a copyright infringement and is punishable.

NOTE: The drawings do not reflect the actual dimensions of the foundation. They are only exemplary assembly schemes taking into account the type of anchoring and the substrate material to which the furniture is to be fixed.

The size of the foundation depends on the local foundation conditions.



INSTALLATION INTO PAVING WITH FOUNDATION

Description of the assembly

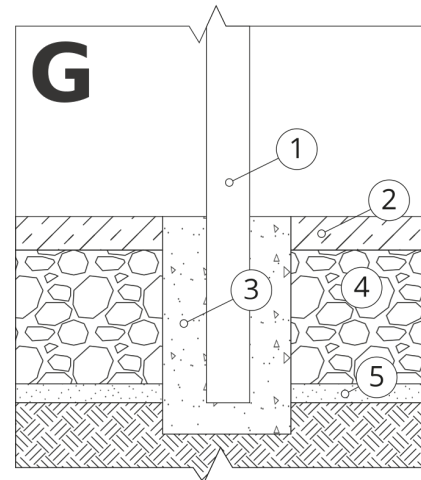
1. ZANO product
2. Stone paving / concrete paving / stone slabs / concrete slabs
3. Sand ballast (approx. 2 - 4 cm)
4. Concrete foundation, class C16/20 (top surface concrete 10 cm below paving surface)
5. Ground
6. Ground



MOUNTING TO CONCRETE FOUNDATION

Description of the assembly

1. ZANO product
2. Concrete foundation, class C16/20 (top surface concrete 10 cm below paving surface)
3. Ground



MOUNTING TO CONCRETE FOUNDATION

Description of the assembly

1. ZANO product
2. Fixed hardened surface e.g. concrete or asphalt
3. Concrete foundation, class C16/20 (top surface concrete 10 cm below paving surface)
4. Stone aggregate substructure
5. Sand ballast (approx. 2 - 4 cm)
6. Ground