

## OPTIONS

---

### Methods of installation

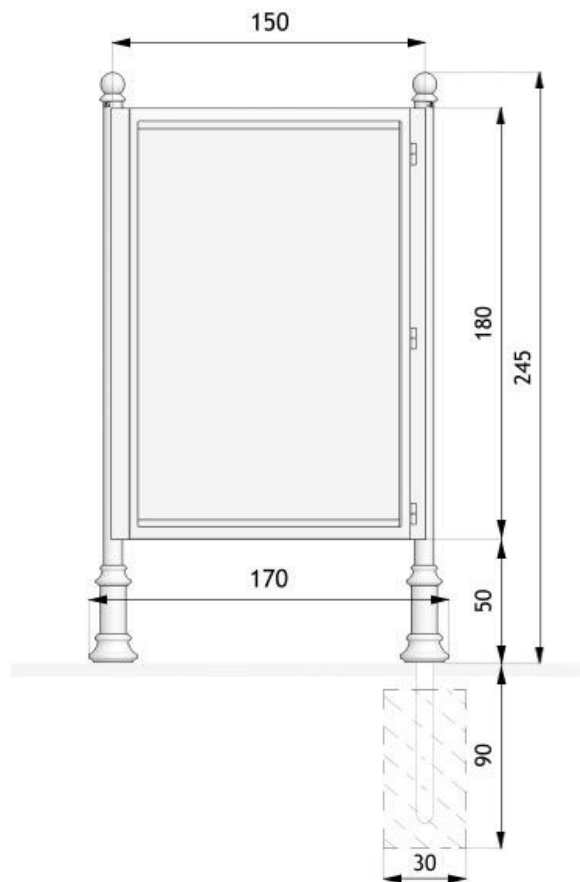
- embedded in concrete

## DESCRIPTION

---

Presented model is almost 2,5 meter high board, glazed with harden glass. It is absolutely perfect for the big advertising posters. Poster Information Board is durable and low-maintenance model made of carbon steel and cast iron castings. This information board can be coated in a colour of your choice from a full range of RAL colours (for example: black matt or dark graphite). Thanks to the retro models, like 08.066 notice board ZANO Street Furniture allow architects to create truly inspirational schemes within today's urban landscapes.





wymiary podane w [cm]

## GENERAL TECHNICAL DATA

### Materials

- iron castings
- steel tubes
- galvanised sheet
- aluminium profiles
- polycarbonate clear

### Board surface

- 125x160cm

### Dimensions

- width: 170 cm
- height from ground surface: 245 cm
- height with anchoring section: 335 cm

### Weight

- 250 kg

ZANO



Product:  
Poster Information Board  
Catalog number: **08.066**  
Designer: Tomasz Szpytma

In accordance with the Polish Law on Copyright and Related Rights of 04.02.1994 (Official Journal of Laws No. 24, item 83, corrected: Journal of Laws No. 43, item 170) and in accordance with the EU copyright legislation including all EU directives and regulations on copyright, Zano Mirosław Zarotynski Company, reserves the copyright of drawings, descriptions, 3D models, renderings, graphics, content contained in offers, attachments to offers and all other documents. Its content is the intellectual property of ZANO Mirosław Zarotynski company. The use of author's ideas, solutions, copying, distribution of photos, graphics or fragments of graphics, descriptive texts, for profit, without the permission of the author - ZANO Mirosław Zarotynski company - is prohibited and constitutes a copyright infringement and is punishable.

**NOTE: The drawings do not reflect the actual dimensions of the foundation. They are only exemplary assembly schemes taking into account the type of anchoring and the substrate material to which the furniture is to be fixed.**

The size of the foundation depends on the local foundation conditions.



### INSTALLATION INTO PAVING WITH FOUNDATION

**Description of the assembly**

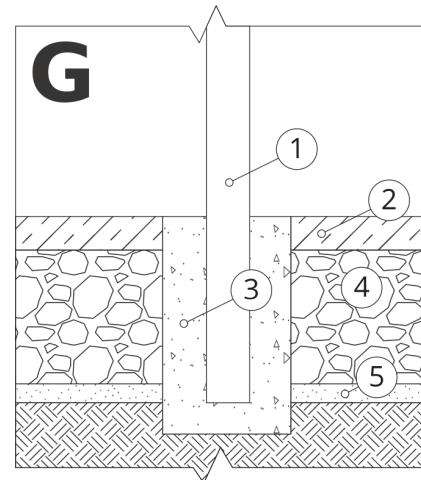
1. ZANO product
2. Stone paving / concrete paving / stone slabs / concrete slabs
3. Sand ballast (approx. 2 - 4 cm)
4. Concrete foundation, class C16/20 (top surface concrete 10 cm below paving surface)
5. Ground



### MOUNTING TO CONCRETE FOUNDATION

**Description of the assembly**

1. ZANO product
2. Concrete foundation, class C16/20 (top surface concrete 10 cm below paving surface)
3. Ground



### MOUNTING TO CONCRETE FOUNDATION

**Description of the assembly**

1. ZANO product
2. Fixed hardened surface e.g. concrete or asphalt
3. Concrete foundation, class C16/20 (top surface concrete 10 cm below paving surface)
4. Stone aggregate substructure
5. Sand ballast (approx. 2 - 4 cm)
6. Ground