

OPTIONS

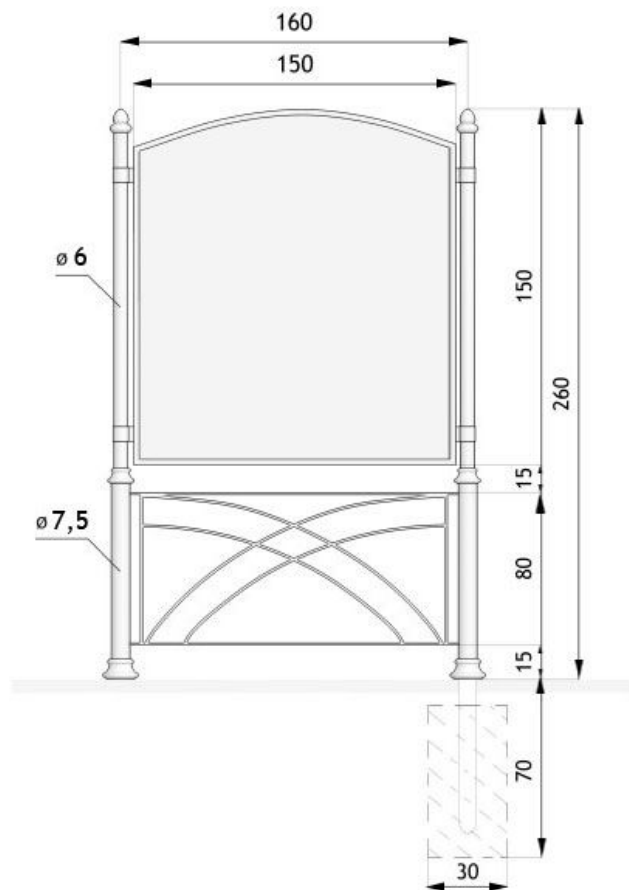
Methods of installation

- embedded in concrete

DESCRIPTION

Skala 08.064.1 model is equipped with crossbars under board, which make possible to design it as a part of original fence. Presented information board was designed to meet your needs and to coordinate with the surrounding environment. Presented model is ideal for tourist areas and city centres where clearly presented informations are essential elements of the landscape. On ZANO Street Furniture you can put: maps, street locations, tourist informations etc. You can also choose form all RAL palette standard colours.





wymiary podane w [cm]

GENERAL TECHNICAL DATA

Materials

- iron castings
- steel tubes 60mm, 75mm

Board surface

- 140x140cm

Dimensions

- width: 170 cm
- height from ground surface: 260 cm
- height with anchoring section: 320 cm

ZANO



Product:
Skała Information Board
Catalog number: **08.064.1**
Designer: Tomasz Szpytma

In accordance with the Polish Law on Copyright and Related Rights of 04.02.1994 (Official Journal of Laws No. 24, item 83, corrected: Journal of Laws No. 43, item 170) and in accordance with the EU copyright legislation including all EU directives and regulations on copyright, Zano Mirosław Zarotynski Company, reserves the copyright of drawings, descriptions, 3D models, renderings, graphics, content contained in offers, attachments to offers and all other documents. Its content is the intellectual property of ZANO Mirosław Zarotynski company. The use of author's ideas, solutions, copying, distribution of photos, graphics or fragments of graphics, descriptive texts, for profit, without the permission of the author - ZANO Mirosław Zarotynski company - is prohibited and constitutes a copyright infringement and is punishable.

NOTE: The drawings do not reflect the actual dimensions of the foundation. They are only exemplary assembly schemes taking into account the type of anchoring and the substrate material to which the furniture is to be fixed.

The size of the foundation depends on the local foundation conditions.



INSTALLATION INTO PAVING WITH FOUNDATION

Description of the assembly

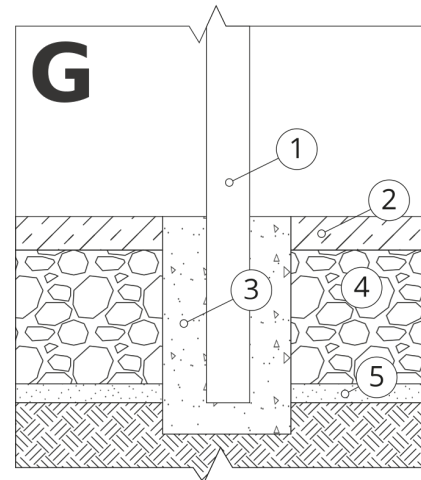
1. ZANO product
2. Stone paving / concrete paving / stone slabs / concrete slabs
3. Sand ballast (approx. 2 - 4 cm)
4. Concrete foundation, class C16/20 (top surface concrete 10 cm below paving surface)
5. Ground



MOUNTING TO CONCRETE FOUNDATION

Description of the assembly

1. ZANO product
2. Concrete foundation, class C16/20 (top surface concrete 10 cm below paving surface)
3. Ground



MOUNTING TO CONCRETE FOUNDATION

Description of the assembly

1. ZANO product
2. Fixed hardened surface e.g. concrete or asphalt
3. Concrete foundation, class C16/20 (top surface concrete 10 cm below paving surface)
4. Stone aggregate substructure
5. Sand ballast (approx. 2 - 4 cm)
6. Ground